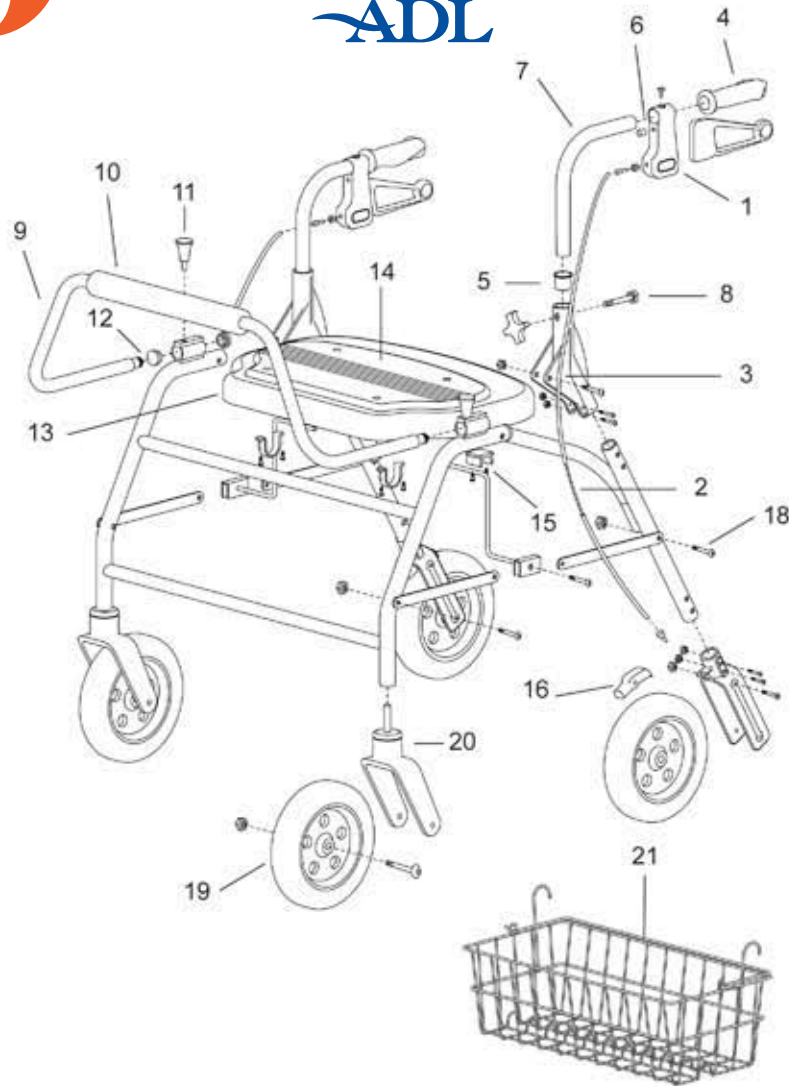




PARSONS ADL



4200SWX

No	Designation (Qty/Rollator)	UofM	Art. no
1	Brake Handle Complete Housing Plastic Cap Screw Handle with Nylon Ball Fulcrum Wheels (2 required) Fulcrum Wheel Plug (2 required)	EA	P49510
2	Wire Cable Tension Adjustment Screw	EA	P49006
6	Nylon Tube Cap	EA	P42013
7	Push Handle	EA	P42062
5	Push Handle Collar	EA	P42067
4	Anatomical Handles 5" Foam Handles	PR	P49021 P42016
3	Vinyl Cable Sleeve Cover	EA	P49011
8	Star Handle and Bolt	EA	89096
9	Complete Backrest - Removable	EA	P42063
10	Backrest Foam	EA	P42009
11	Backrest Adjustment Knob	EA	P42047
12	Backrest Connector	EA	P42073
13	Plastic Seat	EA	P42064
14	Seat Pad	EA	P42065
15	Front Seat Clamp (2 required)	EA	P42041
16	Brake Pad	EA	P49055
17	Cable Cap (not shown)	EA	P49018
18	Bracket Bolt and Nut	EA	P42005
19	Solid Tire with Bearing Wheel Bearing (2 required)	EA	P42072 H48022
20	Front Fork Complete <i>Includes: Stem Bolt, Fork, Bearings</i>	EA	P42070
21	Basket 16.5" x 41.9cm (L) x 10" x 25.4cm (W) x 6.5" x 16.5cm (D)	EA	4215

Model number 4220223F

Parsons ADL Inc.
1986 Sideroad 15, Tottenham, ON L0G 1W0
(800) 263-1281 www.parsonsadl.com

All Rights Reserved. 4200 SWX Parts Rev A-January 2016-Released
This manual may not be reproduced in part or in whole without the written permission of the publisher.

Parts List

